



E-301

Description

The E-301 is a simple general purpose controller. This controller can be used in gas engines for 12 or 24 volt systems, and can have up to two speed sets. Speed sets can be enabled by setting the respective pins “high” (12/24V). These units are fully configurable by the customer using adjustable potentiometers to adjust gain and integral settings for optimal engine response. These controllers come conformally coated in a rugged enclosure.

Features

High impact plastic case

Power supply 12/24VDC

Speed band +/- 0.3% at ambient temp

Temperature stability +/-1.5%

Speed range 3:1 standard

2 speed sets

Gain and integral adjustments

Speed input (ignition)

Mounting attitude: any
(Vertical recommended)

Functionally tested

Specifications

Mechanical

Operating Temp	-30 to 85° C -22 to 185° F
Weight	1lb

Power

Supply Voltage	12V or 24V
Power Consumption	5W
External Fuse Required	7.5A

Speed Sensor

DIS Frequency	up to 400Hz
Voltage	100V

Governor

Max Current	4A
-------------	----

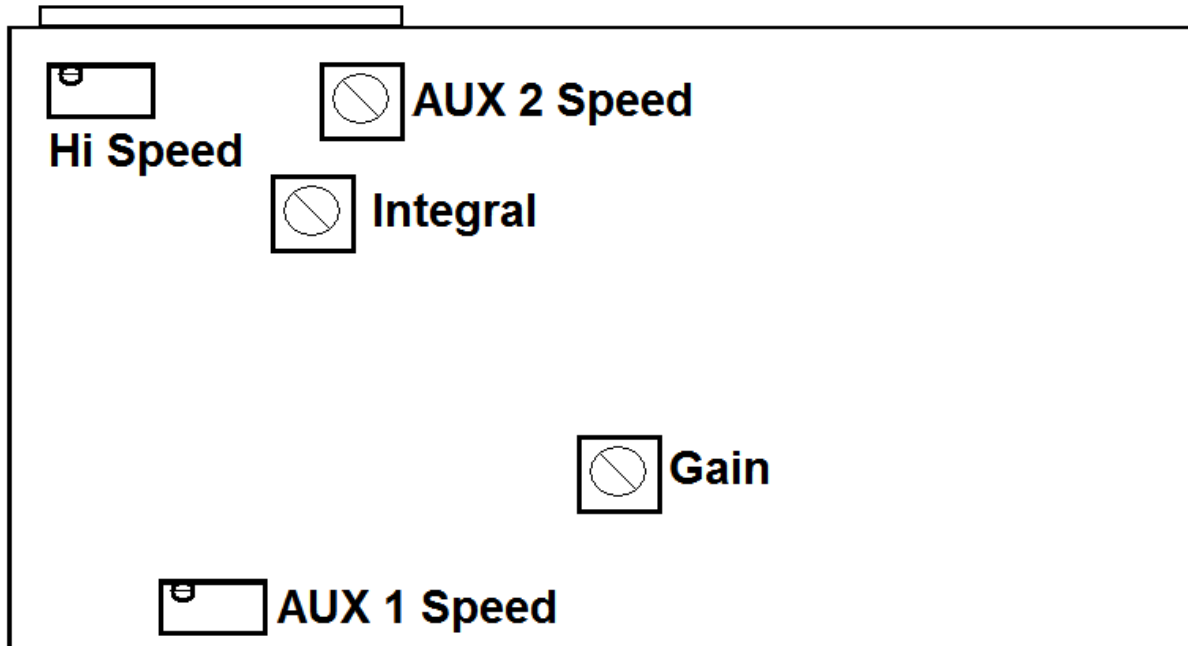
Speed Set

Threshold	8V
-----------	----

Wiring

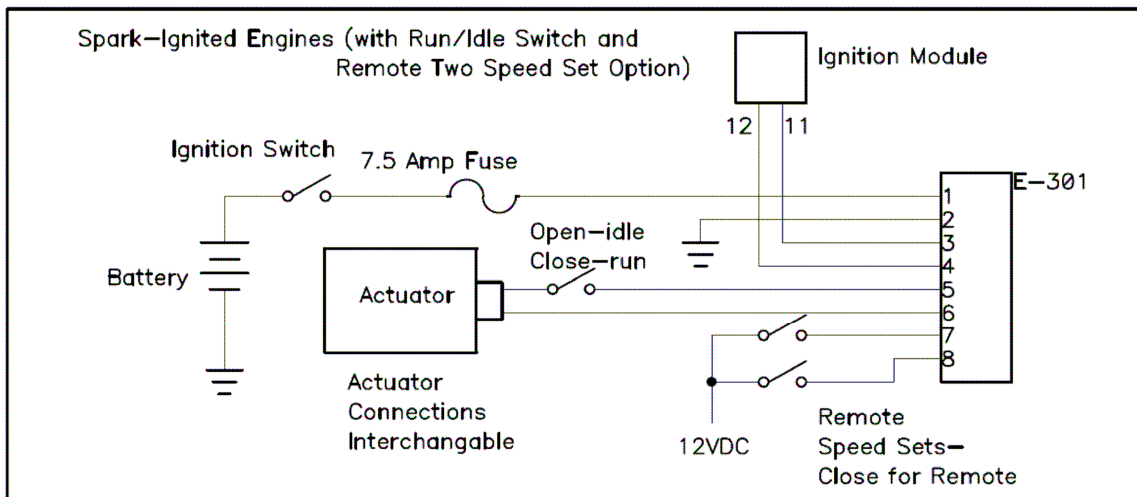
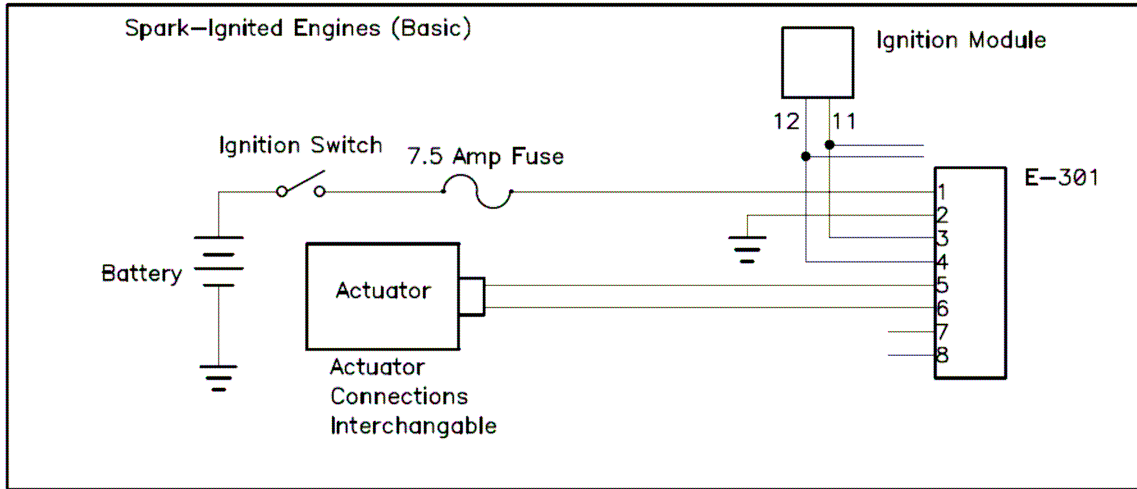
Pin	Description
1	+12/24V Power
2	Ground
3	Speed Sensor +
4	Speed Sensor -
5	Governor (polarity insensitive)
6	Governor (polarity insensitive)
7	Speed set 1
8	Speed set 2

E-301 Pot Locations

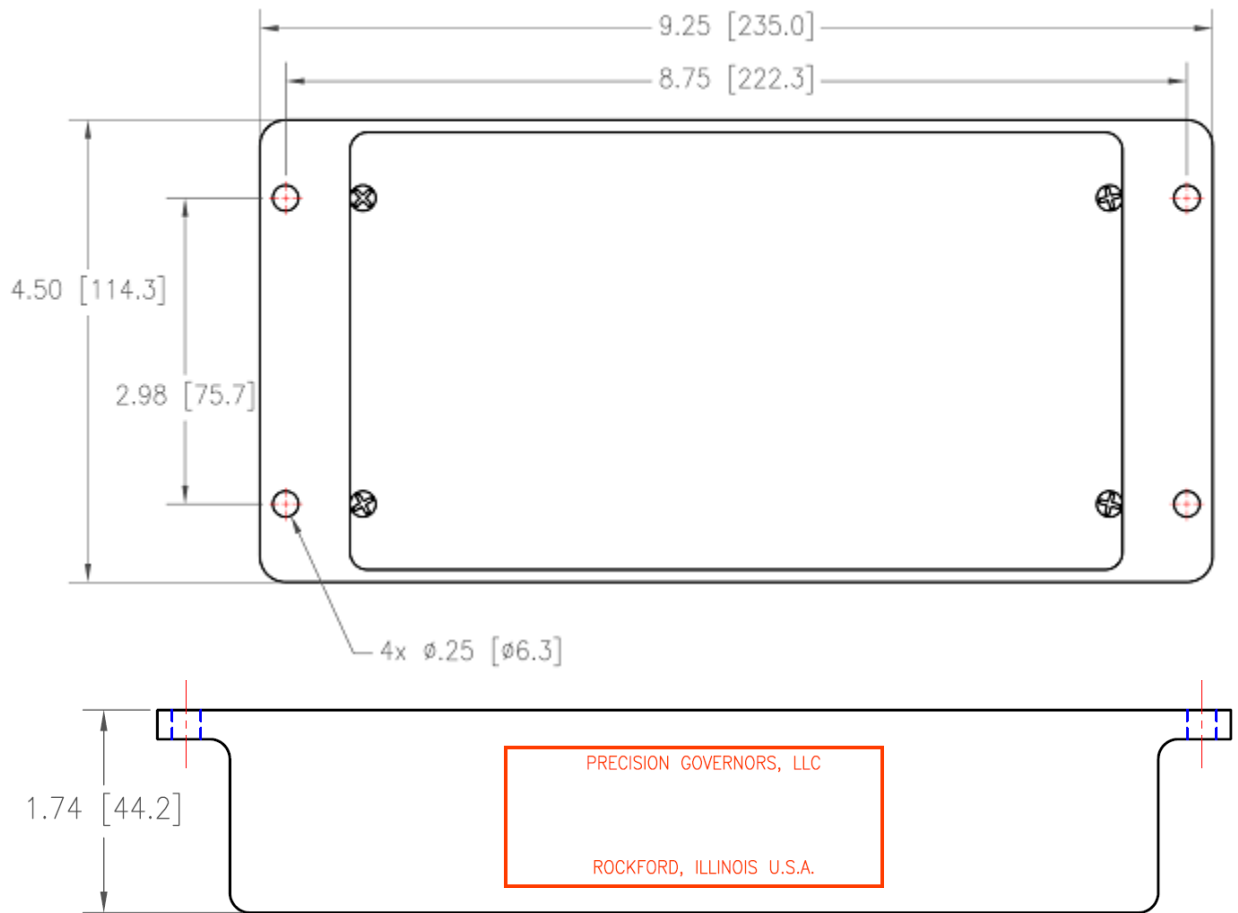


E-301 Electronics-Adjustment POTS

E-301 Schematics



Dimensions



Reference

E-301

Model	Part #	Description	Connection *	Typical OEM **
A	9060	2 speed	Terminals	Skamp
B	9061	3 speed	Terminals	North Coast Ford
B	9061-1	3 speed	Terminals	Skyjack
C	9062-1	2 speed	Terminals	JLG
F	9106	2 speed	Terminals	Genie
G	9205	3 Speed	Terminals	Skamp / North Coast Ford
H	Obsolete: use E-301C #9062-1	2 speed	Terminals	JLG
H	Obsolete, replaced with E-401H for DIS engines. For distributor engines, use E-301C + harness adapter #9467	2 speed	8 pin Black Packard Plug	JLG
K	Obsolete, use E-301B + harness adapter #9467	3 Speed	8 pin Black Packard Plug	PowerTech
L	Obsolete. Use E-301B + field fabricated harness adapter.	3 Speed	8 pin Gray Deutsch Plug	PowerTech

* Connection Type: The controller is electrically connected to the machine either by 7 or 7 screw terminals or a cable with an 8 pin plug on the end.

** OEM listed is typical. Controller use is not necessarily limited to the listed OEM.