



E-371

Description

The E-371 is a robust controller with multiple configuration possibilities. This controller can be used in diesel engines for 12 or 24 volt systems, and has up to three speed sets. These speed sets can be enabled by setting the respective pins "high" (12V/24V). Engine configuration can be done using simple gain and speed set pots. This controller is conformally coated and mounted in a rugged enclosure.

Features

High Impact Plastic Case

Diesel Engine Control

Power supply 12/24VDC

Speed Band +/- 0.3% at Ambient Temp

Temperature Stability +/-1.5%

Speed Range 3:1

3 Speed Sets

Gain Adjustment

Speed Input (Mag Pickup)

Mounting Attitude: Any
(Vertical Recommended)

Functionally Tested

Specifications

Mechanical

Operating Temp -30 to 85° C
-22 to 185° F
Weight 1lb

Power

Supply Voltage 12V or 24V
Power Consumption 5W
External Fuse Required 7.5A

Speed Sensor

Mag Frequency up to 10kHz
Voltage 100V

Governor

Max Current 4A

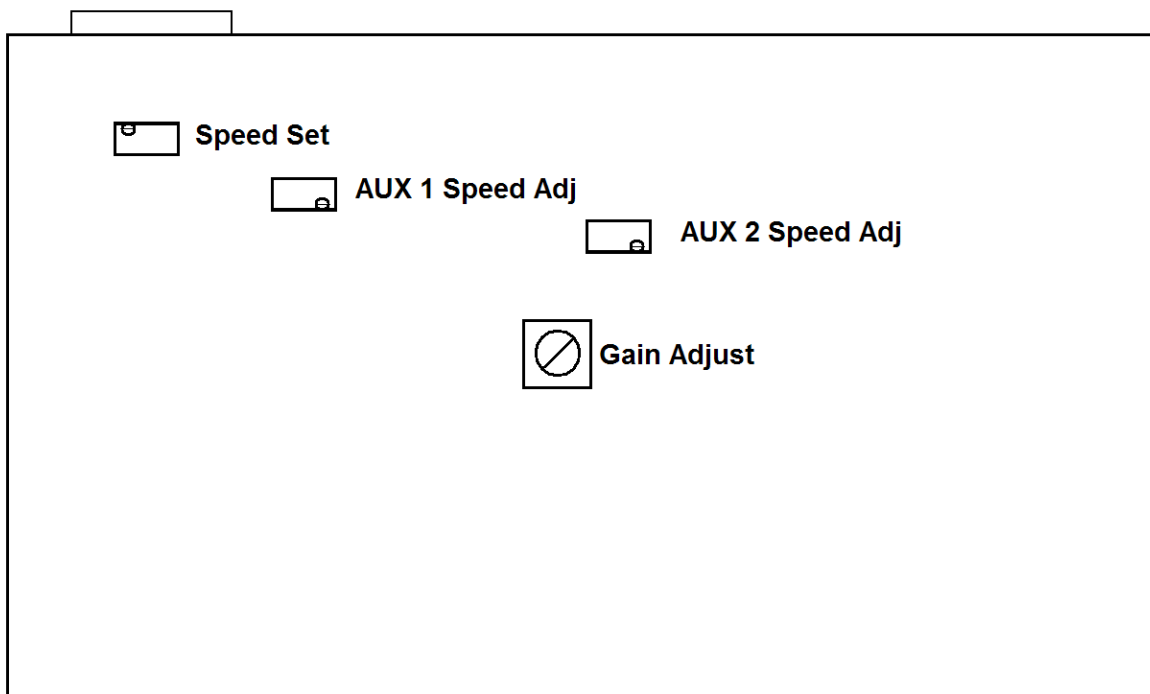
Speed Set

Threshold 8V

Wiring

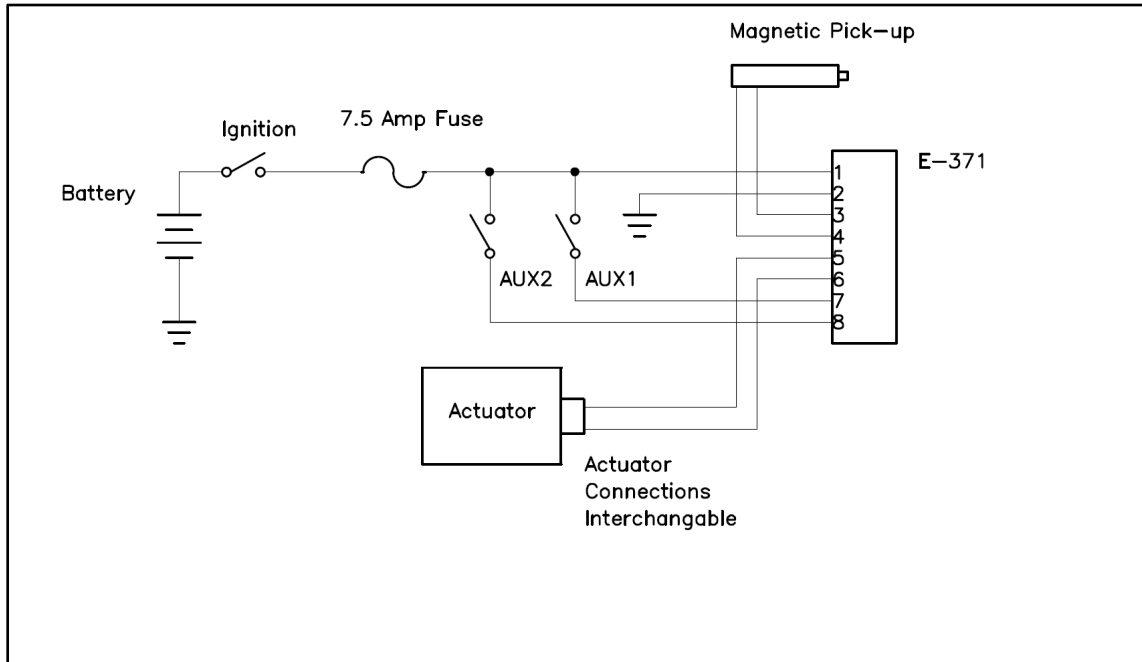
Pin	Description
1	+12/24V Power
2	Ground
3	Mag Pick Up +
4	Mag Pick Up -
5	Governor (polarity insensitive)
6	Governor (polarity insensitive)
7	Speed set 1
8	Speed set 2

E-371 POT locations

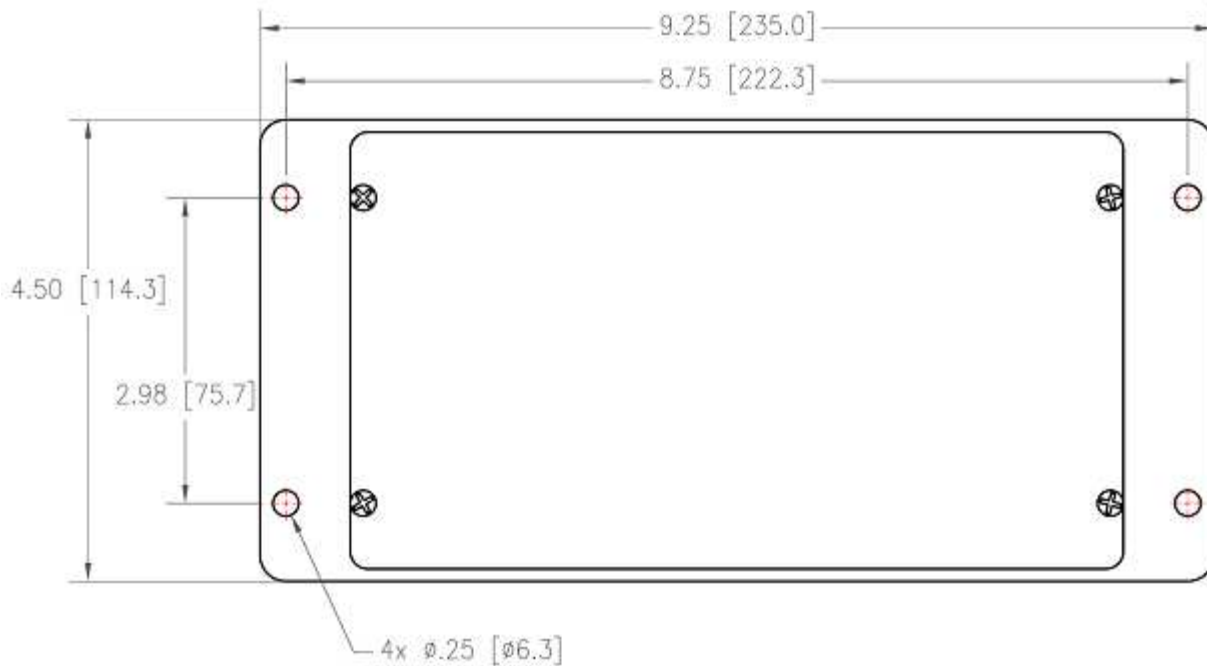


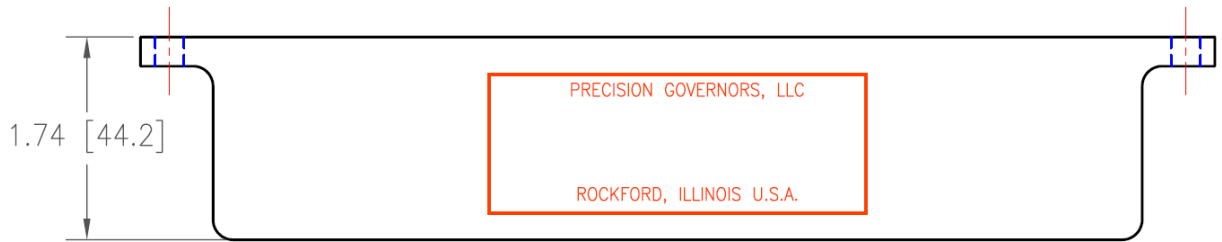
E-371 Electronic Adjustment POTs

Typical Wiring of a E-371



Dimensions





Reference

Part Number 9201 – 3 Speed Diesel Controller