

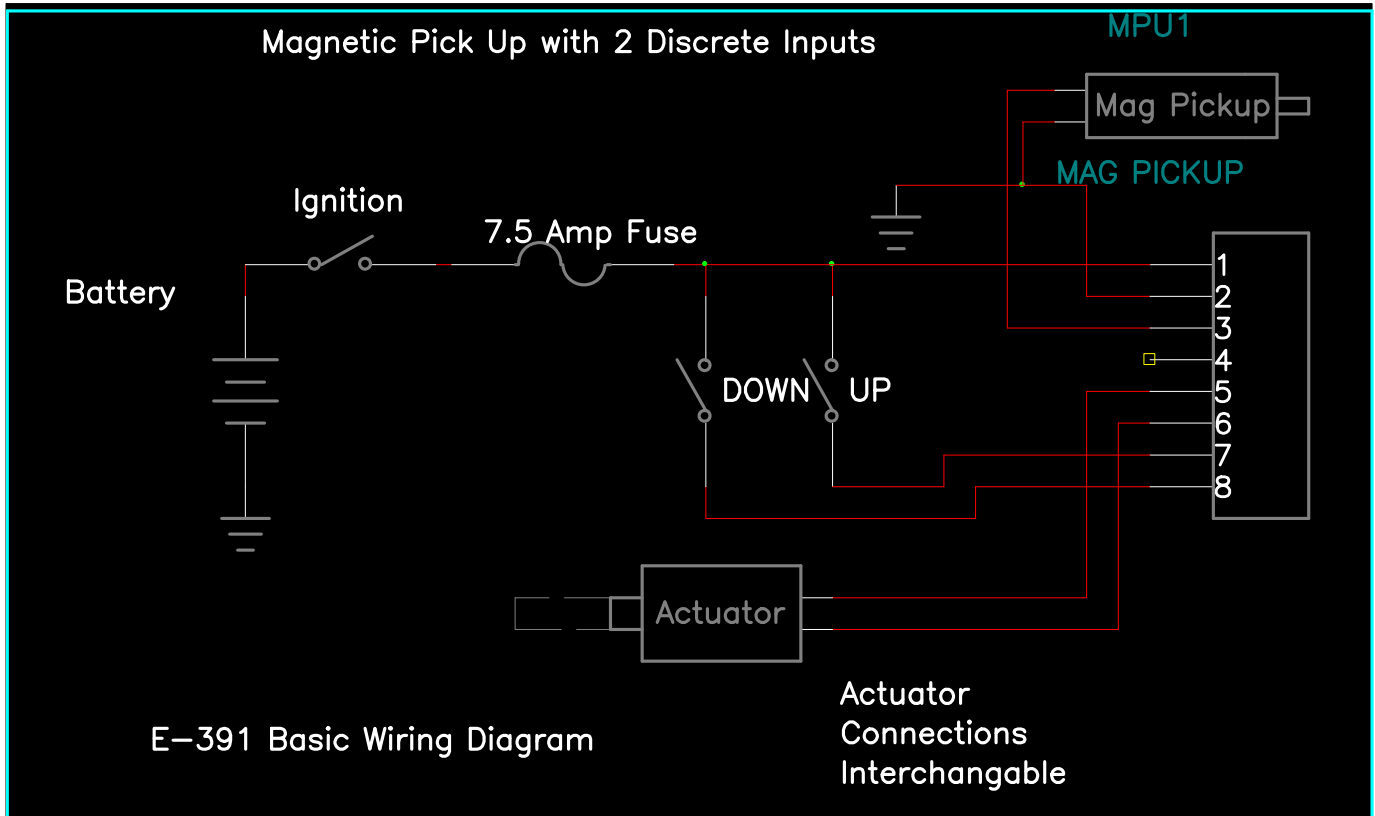
E-391 Pots and Wiring.

- P1 low speed ( based off high speed)
- P2 Gain
- P3 Integral
- P4 High Speed ( set first, recheck after gain / integral adjustments)

Wiring:

- 1 A RED +12/24 input
- 2 B BLACK ground
- 3 C YELLOW speed signal
- 4 D WHITE ( not used) (not used)
- 5 E BROWN actuator (connected to pin 1)
- 6 F BLUE actuator ( modulated to ground)
- 7 G ORANGE speed up request
- 8 H GREEN speed down request

Wiring:



Up / Down Switches:

Momentary contact.

Note this can be wired with one single pole double pole momentary contact normally open switch. In this case, connect the common terminal to power. Connect the remaining terminals one to pin 7 and the other to pin 8.