

YANMAR Engines

Model SV Governing ACTUATOR

Precision Governor's Model SV governing actuator uses linear ball bearings to provide low friction governing for all applications requiring precise governing control.

*Custom-designed for use with the following
Yanmar Series Engines*

TNE

2V78



Features:

- ◆ Custom designed for Yanmar industrial and generator set engine applications.
- ◆ Features ultra low friction linear ball bearings. Precise, smooth governing actuator control at all temperature ranges. At least ten times lower friction than actuators using solid bushings.
- ◆ Fast and easy installation. Mounts directly to fuel rack in place of Run/Stop solenoid eliminating linkages, pulleys, or external brackets.
- ◆ Failsafe operation. Internal spring returns actuator to the minimum fuel/shutdown position in case of power loss.
- ◆ Requires much less current and operates at much cooler temperatures than others.
- ◆ Available in 12 volt & 24 volt versions.
- ◆ Corrosion and moisture resistant.
- ◆ Ideal for gensets Isochronous control with zero droop over the complete speed range.

Specifications

ELECTRICAL

Power Input

12 or 24 Volt DC Available

12 VDC

Coil Resistance

5.3 Ohms

Maximum Continuous Current

1.9 Amps

24 VDC

Coil Resistance

19.9 Ohms

Maximum Continuous Current

1.0 Amps

Connectors

Standard:

Spade Terminal

AMP P/N 2-520102-2 or equivalent

Mate:

AMP P/N 2-520184-2 or 3-350820-2 or equivalent

Options:

Deutsch

P/N DT04-2P

Mate:

P/N DT06-2S

Delphi-Packard

P/N 15300027

Mate:

P/N 15300002

MECHANICAL

Dimensions:

See drawing for specific model

Stroke:

See drawing for specific model

Materials:

Corrosion resistant Aluminum and Zinc Plated Steel

Weight:

1.2 lbs

Serial Number:

Etched into housing opposite lead wires

ENVIRONMENTAL

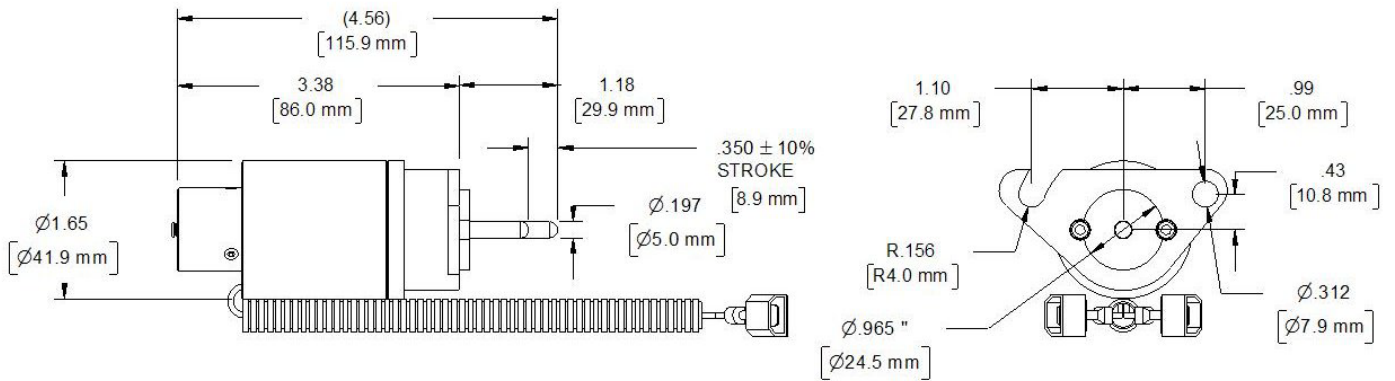
Operating Temperature Range:

-40°F to 250°F

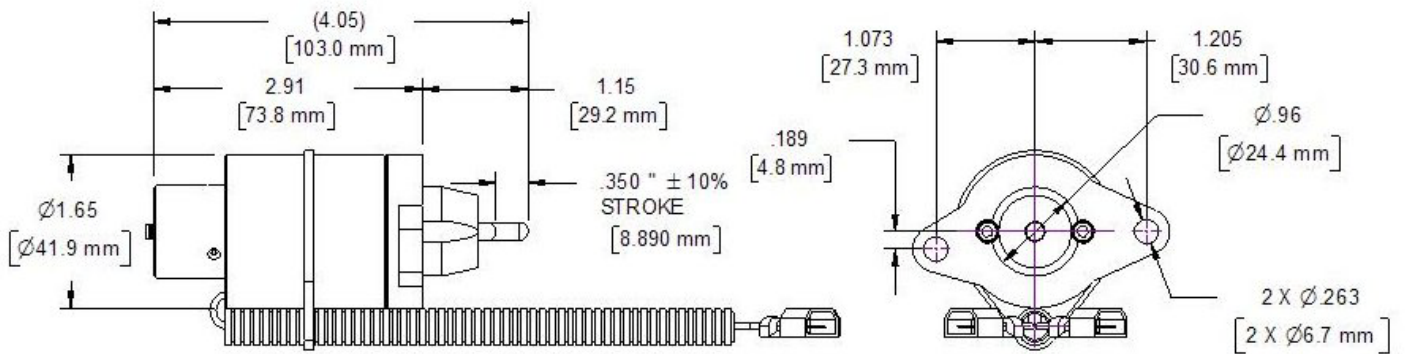
(-40°C to 121°C)

Yanmar Series Engines

Model SV Governing ACTUATOR



TNV SERIES ACTUATOR



2V78 SERIES ACTUATOR

Ultra Low Friction Linear Ball Bearing Design

Precision Governor's exclusive use of two low friction linear ball bearings in each governing actuator insures precision, reliable governing performance in the most demanding industrial applications.



Ordering: Model SV Governing Actuators for Yanmar Engines

<u>Part No.</u>	<u>Description</u>
	<u>TNE Series</u>
9264	12 Volt Systems
9265	24 Volt Systems
	<u>2V78 Series</u>
9259	12 Volt Systems
9297	24 Volt Systems