



PECoS Model 50

Description (*DRAFT*)

The PECoS 50 is an easy to use, small, economical yet robust 32-bit digital engine controller. This device will give you precise control as well as a multitude of programmable features in a small package. The serial RS-232 interface allows the user to customize this controller to their needs for many engine control applications. There is a speed sensor input for monitoring and controlling engine speed from a magnetic pickup, spark signal or transformer. This PECoS 50 also includes three analog connections for monitoring sensors and discrete inputs. A low side drive output is also available to drive relays for autostart and other functionality.

The PECoS 50 can be used as shipped or calibrated using PG's programming tools.

The following contains all the features and data that are available in this package. PG will customize this controller and its software to fit the needs of your application.

Features

- 12 Volt DC power systems
- Small form and factor
- Reverse polarity protected
- Short circuit protected
- Configurable PID actuator control loop
- Speed sensor (e.g. magnetic pick-up, ignition)
- Overspeed and underspeed control
- Auto-Start capability
- Warm-up speed and time
- RS-232 optical communication
- 3 configurable analog or discrete inputs
- 1 Low side dedicated 1A output
- Up to 4 adjustable set speed selects
- Drive-By-Wire (DBW)

Specifications

Mechanical

Operating Temp -40 to 85°C
 -40 to 185°F

Inputs

Power Supply 8-18 VDC
 Speed Sensor +/-100 V AC/DC
 15 kHz max
 Analog 0-20V
 Discrete 0-30V pull-down

Outputs

Governor 6A continuous
 Short circuit protected
 Discrete 1A open drain

Communication

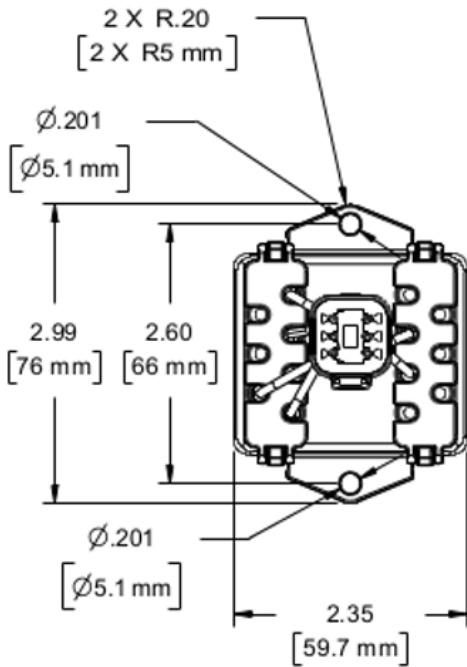
RS-232 57.6K baud
 8 data bits
 No parity
 1 stop bit
 No flow control

Data

Pin Out

Pin	Function	Description
#1	Ground	Controller Ground
#2	Power	Controller Power +12/24V (Reverse Polarity Protected)
#3	Actuator +	Actuator Control Wire Positive
#4	Actuator -	Actuator Control Wire Negative
#5	Speed Input +	Speed Sensor Positive
#6	Speed Input -	Speed Sensor Negative
#7	Analog 1	Configurable analog input for sensor or discrete input reading
#8	Analog 2	Configurable analog input for sensor or discrete input reading
#9	Analog 3	Configurable analog input for sensor or discrete input reading
#10	Auxiliary 1	Low side output driver for driving relays, choke or other applications
Serial 1	Com Tx	RS-232 IR Transmission LED
Serial 2	Com Rx	RS-232 IR Receiver Collector

Mechanical



Reference

Part Number:
 9781-N06-XX

↑ Connector

Connector Type

Code	Connector
N05 – N14	Wires Only
D06	Deutsche Header: 6 Position
D08	Deutsche Header: 8 Position
D10	Deutsche Headers: 6 Position & 4 Position
P08	Delphi Packard Header: 8 Position