

**NOTES:**

9481 - 12 12 VOLT SPECIFICATIONS

COIL DATA:

12V  
3.6 OHMS ± 5%  
NO POLARITY REQUIRED  
LEAD WIRE:  
19/32 STRANDED TINNED COPPER  
UL STYLE 3239  
200 C  
TEFLON INSULATED

LEAD WIRES:

10.5 INCHES MIN.  
BLACK IN COLOR  
COVERED IN SPLIT LOOM  
WIRE TIE AS SHOWN

MAXIMUM VOLTAGE REQUIRED TO OBTAIN FULL STROKE:

9.75V AT AMBIENT TEMPERATURE

9481 - 24 24 VOLT SPECIFICATIONS

COIL DATA:

24V  
10.2 OHMS ± 5%  
NO POLARITY REQUIRED  
LEAD WIRE:  
19/32 STRANDED TINNED COPPER  
UL STYLE 3239  
200 C  
TEFLON INSULATED

LEAD WIRES:

10.5 INCHES MIN.  
WHITE IN COLOR  
COVERED IN SPLIT LOOM  
WIRE TIE AS SHOWN

MAXIMUM VOLTAGE REQUIRED TO OBTAIN FULL STROKE:

19.5V AT AMBIENT TEMPERATURE

STROKE:

.394 INCH ± 10%

AXIAL FORCE:

1.45 LBS. ( 30% ) @ 0.01" DEFLECTION  
6.21 LBS. ( 10% ) @ 0.35" DEFLECTION

TERMINALS:

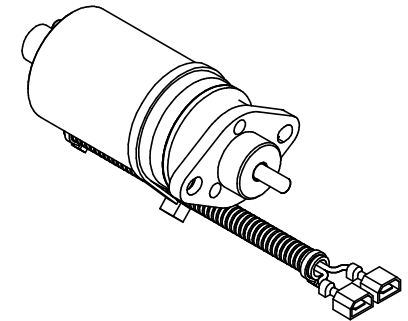
AMP P/N 2-520102-2 (OTHER TERMINALS POSSIBLE)  
MATE TERMINALS:  
P/N 2-520184-2 OR 3-350820-2  
OTHER TERMINALS POSSIBLE

SERIAL NUMBER:

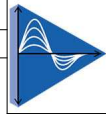
ETCHED INTO HOUSING OPPOSITE LEAD WIRES

PRODUCT LABEL:

PGLLC PART NUMBER (9481 -12 OR 9481 - 24)  
CUSTOMER PART NUMBER IF REQUIRED  
DATE CODE



						TOLERANCES (UNLESS OTHERWISE SPECIFIED)			
						.X	± .02	ALL DIMENSIONS IN INCHES	
						.XX	± .01	THREAD	CLASS 2 - CHAMFER
						.XXX	± .005	TOL.	FIRST THREAD 45°
						.XXXX	± .0005	REMOVE ALL SHARP	.010
						⊙	.0025 MAX	EDGES & BURRS	MAX
						⊥	.010 MAX	FINISH	64 (OR BETTER)
A	08/09/2010	NEW RELEASE	GK	JP	823	FRAC.	± 1/32	THIRD ANGLE	
REV	DATE	DESCRIPTION	BY	APRVD	ECN#	DEG.	± 1/2 (30°)	PROJECTION	



**Precision Governors, LLC**  
2322 Seventh Avenue, Rockford, IL 61104  
phone: 815.229.5300 • fax: 815.229.5342  
www.precisiongovernors.com  
ISO 9001 Certified

SIZE	DRAWN BY
<b>A</b>	<b>G. KUCZENSKI</b>
SCALE	DATE
<b>1:1</b>	<b>08/09/2010</b>

PART DESCRIPTION	
ACTUATOR, SZ KUBOTA 05 SERIES	
PART NUMBER	9481
MATERIAL SPECIFICATION	-12, 12 VOLT -24, 24 VOLT

**REVISIONS**