

DAEDONG Engines

Model SV Governing ACTUATOR

Precision Governor's Model SV governing actuator uses linear ball bearings to provide low friction governing for all applications requiring precise governing control.

*Custom-designed for use with the following
DAEDONG Series Engines*

4A200 Series



Features:

- ◆ Custom designed for DAEDONG industrial and generator engine applications.
- ◆ Features ultra low friction linear ball bearings. Precise, smooth governing actuator control at all temperature ranges. At least ten times lower friction than actuators using solid bushings.
- ◆ Fast and easy installation. Mounts directly to fuel rack eliminating linkages, pulleys, or external brackets.
- ◆ Failsafe operation. Internal spring returns actuator to the minimum fuel/shutdown position in case of power loss.
- ◆ Requires much less current and operates at much cooler temperatures than others.
- ◆ Available in 12 volt & 24 volt versions.
- ◆ Corrosion and moisture resistant.
- ◆ Ideal for gensets Isochronous control with zero droop over the complete speed range.

Specifications

ELECTRICAL

Power Input 12 or 24 Volt DC Available
12 VDC

Coil Resistance 5.3 Ohms

Maximum Continuous Current 1.9 Amps

24 VDC

Coil Resistance 19.9 Ohms

Maximum Continuous Current 1.0 Amps

Connectors

Standard:

Spade Terminal AMP P/N 2-520102-2 or equivalent
Mate:
AMP P/N 2-520184-2 or 3-350820-2 or equivalent

Options:

Deutsch P/N DT04-2P
Mate:
P/N DT06-2S

Delphi-Packard P/N 15300027
Mate:
P/N 15300002

MECHANICAL

Dimensions: See drawing for specific model

Stroke: See drawing for specific model

Materials: Corrosion resistant Aluminum and Zinc Plated Steel

Weight: 1.2 lbs

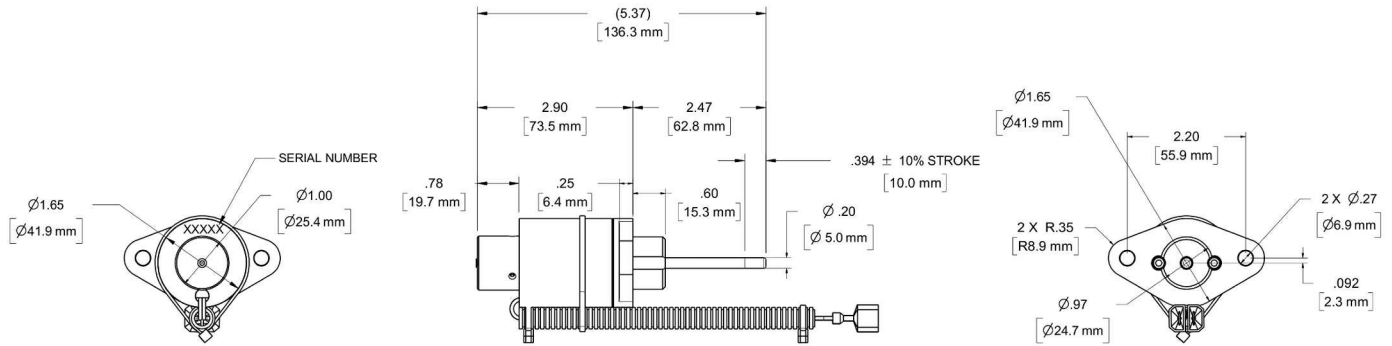
Serial Number: Etched into housing opposite lead wires

ENVIRONMENTAL

Operating Temperature Range: -40°F to 250°F
(-40°C to 121°C)

DAEDONG Series Engines

Model SV Governing ACTUATOR



4A200 SERIES ACTUATOR

Ultra Low Friction Linear Ball Bearing Design

Precision Governor's exclusive use of two low friction linear ball bearings in each governing actuator insures precision, reliable governing performance in the most demanding industrial applications.



Ordering: Model SV Governing Actuators for DAEDONG Series Engines

Part No.

Description

9545 - 12
9545 - 24

Series 4A200
12 Volt Systems
24 Volt Systems