

ISUZU C and 4L Engines *Model SJ Governing ACTUATORS*

Precision Governor's Model SJ governing actuator uses linear ball bearings to provide low friction governing for all applications requiring precise governing control.

*Custom-designed for use with the following
Isuzu 2C, 3C, and 4L Series Engines*

C Series

2CA
3CA1
3CB1
3CD1
3CE1

4L Series

4LE1
4LE2



Features:

- ◆ Custom designed for Isuzu industrial engine applications.
- ◆ Features ultra low friction linear ball bearings. Precise, smooth governing actuator control at all temperature ranges. At least ten times lower friction than actuators using solid bushings.
- ◆ Fast and easy installation. Mounts directly to fuel rack eliminating linkages, pulleys, or external brackets.
- ◆ Failsafe operation. Internal spring returns actuator to the minimum fuel/shutdown position in case of power loss.
- ◆ Requires much less current and operates at much cooler temperatures than others.
- ◆ Available in 12 volt & 24 volt versions.
- ◆ Corrosion and moisture resistant.
- ◆ Ideal for gensets Isochronous control with zero droop over the complete speed range.

Specifications

ELECTRICAL

Power Input 12 or 24 Volt DC Available
12 VDC

Coil Resistance 4.5 Ohms

Maximum Continuous Current 1.9 Amps

24 VDC

Coil Resistance 15.9 Ohms

Maximum Continuous Current 1.0 Amps

Connectors

Standard:

Spade Terminal AMP P/N 2-520102-2 or equivalent
Mate:
AMP P/N 2-520184-2 or 3-350820-2 or equivalent

Options:

Deutsch P/N DT04-2P
Mate:
P/N DT06-2S

Delphi-Packard P/N 15300027
Mate:
P/N 15300002

MECHANICAL

Dimensions: See drawing for specific model

Stroke: See drawing for specific model

Materials: Corrosion resistant Aluminum and Zinc Plated Steel

Weight: 2.3 lbs

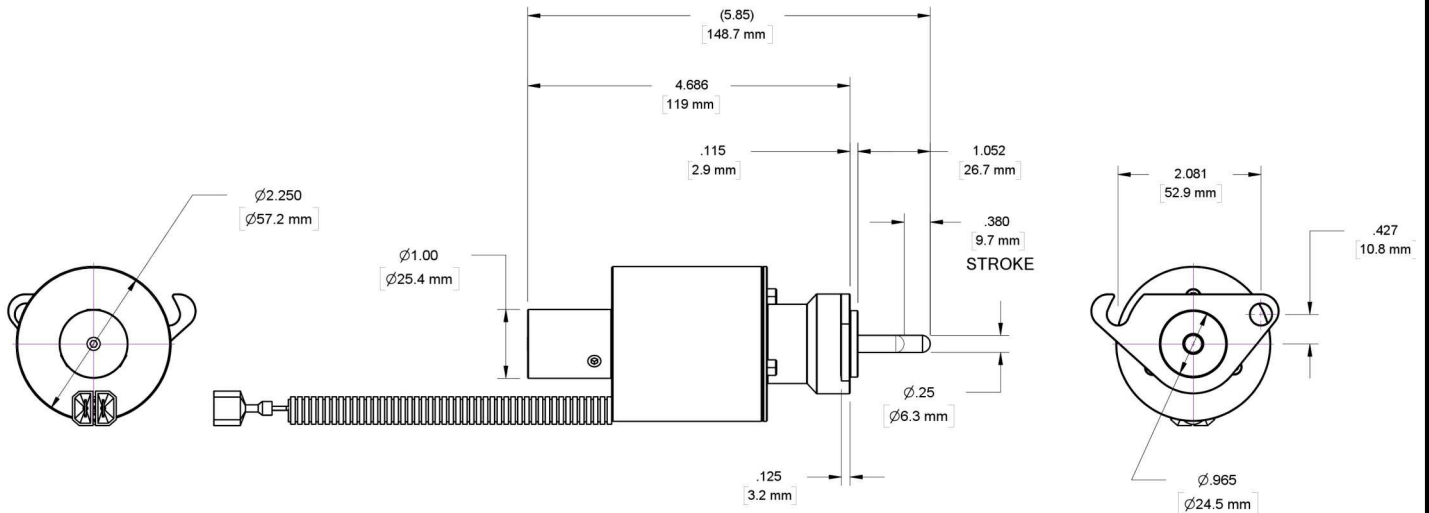
Serial Number: Etched into housing opposite lead wires

ENVIRONMENTAL

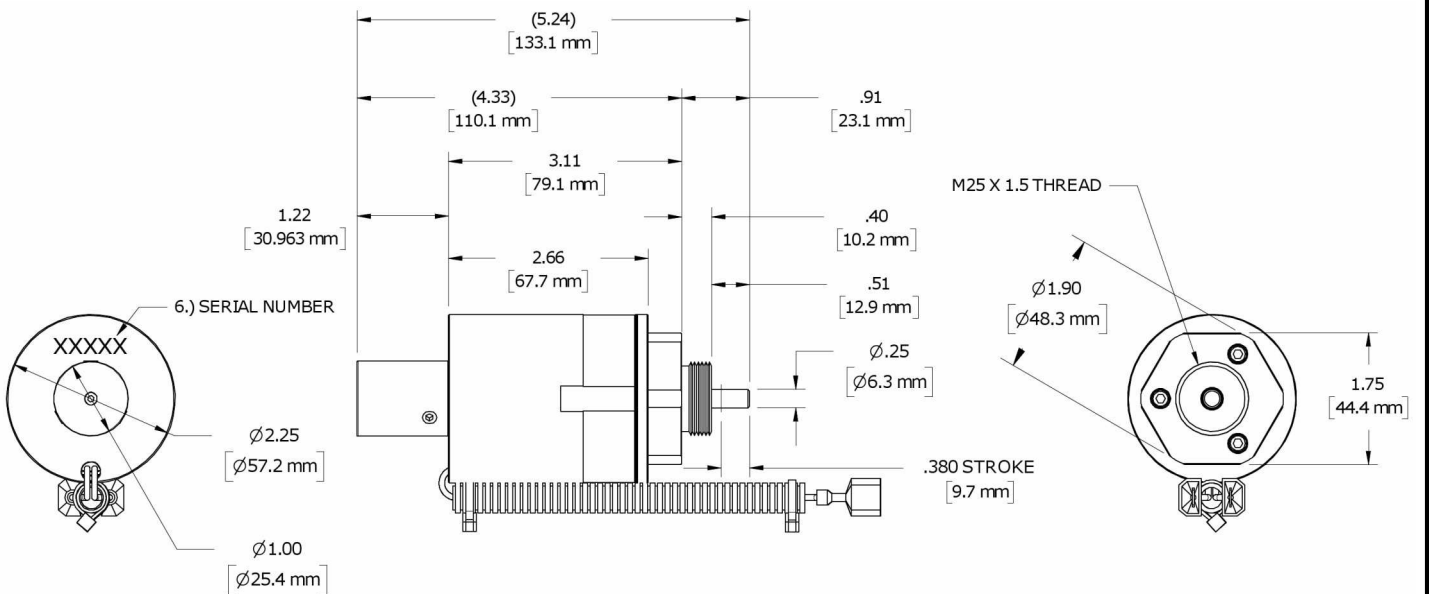
Operating Temperature Range: -40°F to 250°F
(-40°C to 121°C)

Isuzu Series Engines

Model SJ Governing ACTUATOR



2C and 3C SERIES ACTUATOR



4L SERIES ACTUATOR

Ultra Low Friction Linear Ball Bearing Design

Precision Governor's exclusive use of two low friction linear ball bearings in each governing actuator insures precision, reliable governing performance in the most demanding industrial applications.



Ordering: *Model SJ Governing Actuators for Isuzu Series Engines*

<u>Part No.</u>	<u>Description</u>
9223	<u>Series 2C & 3C</u>
9233	12 Volt Systems
	24 Volt Systems
9247	<u>Series 4L</u>
9248	12 Volt Systems
	24 Volt Systems