

KUBOTA Engines

Model SV Governing ACTUATOR

Precision Governor's Model SV governing actuator uses linear ball bearings to provide low friction governing for all applications requiring precise governing control.

*Custom-designed for use with the following
KUBOTA Series Engines*

05 Series
03 Series
03-M Series
V3 Series



Features:

- ◆ Custom designed for Kubota industrial and marine engine applications.
- ◆ Features ultra low friction linear ball bearings. Precise, smooth governing actuator control at all temperature ranges. At least ten times lower friction than actuators using solid bushings.
- ◆ Fast and easy installation. Mounts directly to fuel rack eliminating linkages, pulleys, or external brackets.
- ◆ Failsafe operation. Internal spring returns actuator to the minimum fuel/shutdown position in case of power loss.
- ◆ Requires much less current and operates at much cooler temperatures than others.
- ◆ Available in 12 volt & 24 volt versions.
- ◆ Corrosion and moisture resistant.
- ◆ Ideal for gensets Isochronous control with zero droop over the complete speed range.

Specifications

ELECTRICAL

Power Input 12 or 24 Volt DC Available
12 VDC

Coil Resistance 5.3 Ohms

Maximum Continuous Current 1.9 Amps

24 VDC

Coil Resistance 19.9 Ohms

Maximum Continuous Current 1.0 Amps

Connectors

Standard:

Spade Terminal AMP P/N 2-520102-2 or equivalent
Mate:
AMP P/N 2-520184-2 or 3-350820-2 or equivalent

Options:

Deutsch P/N DT04-2P
Mate:
P/N DT06-2S

Delphi-Packard P/N 15300027
Mate:
P/N 15300002

MECHANICAL

Dimensions: See drawing for specific model

Stroke: See drawing for specific model

Materials: Corrosion resistant Aluminum and Zinc Plated Steel

Weight: 1.2 lbs

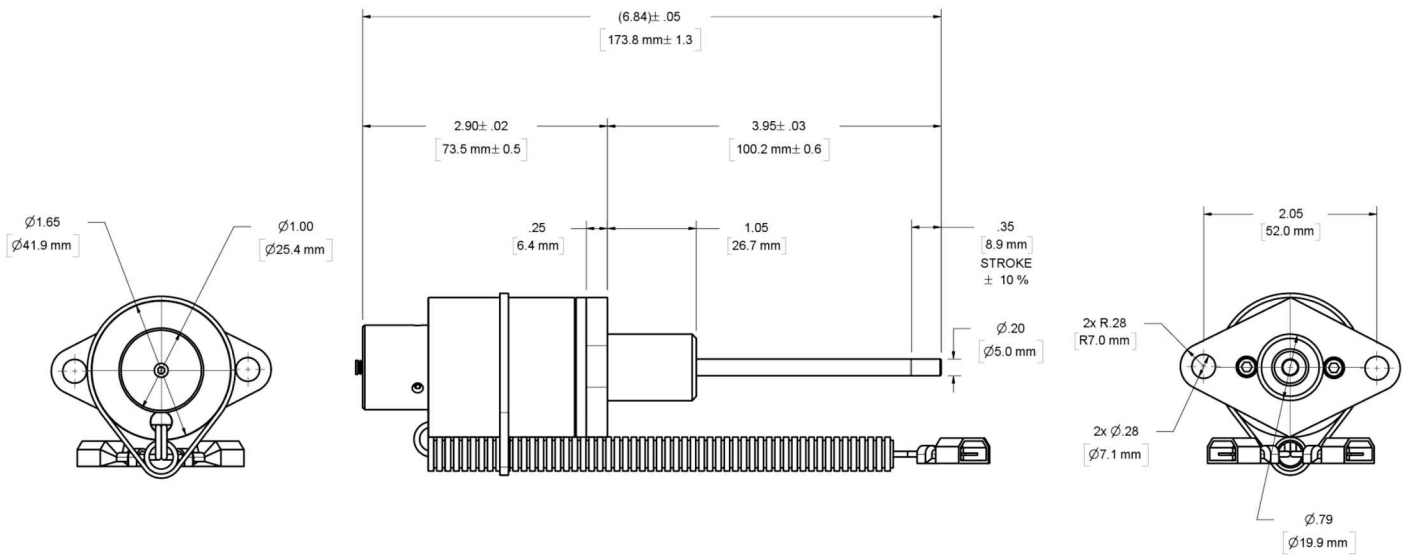
Serial Number: Etched into housing opposite lead wires

ENVIRONMENTAL

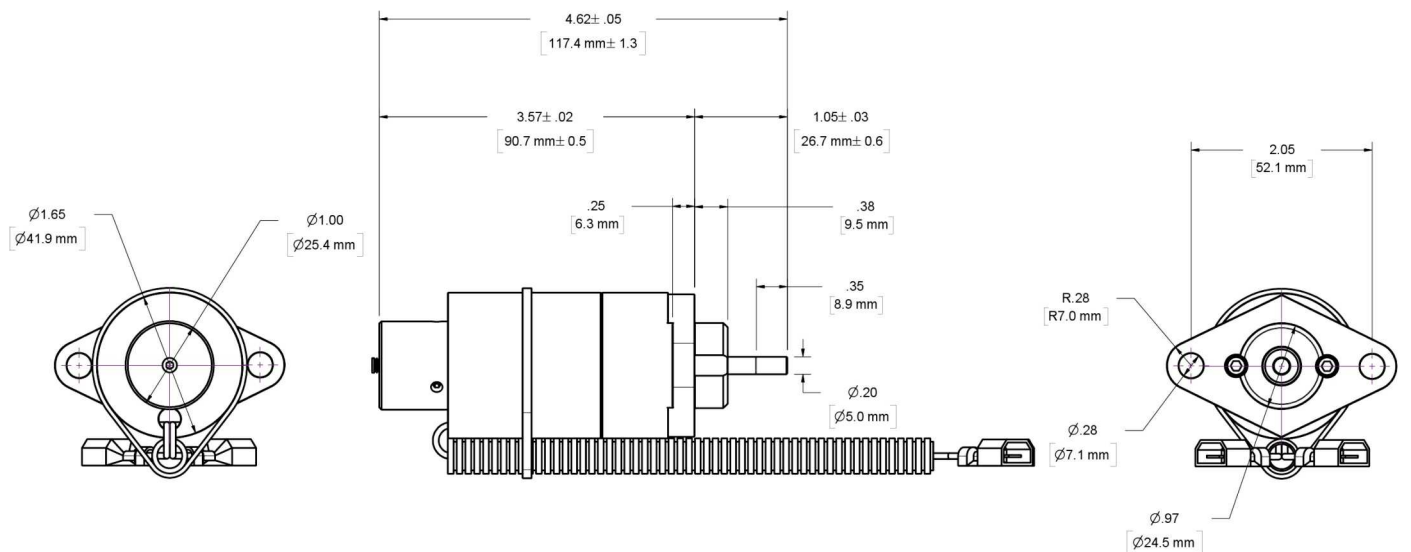
Operating Temperature Range: -40°F to 250°F
(-40°C to 121°C)

Kubota Series Engines

Model SV Governing ACTUATOR



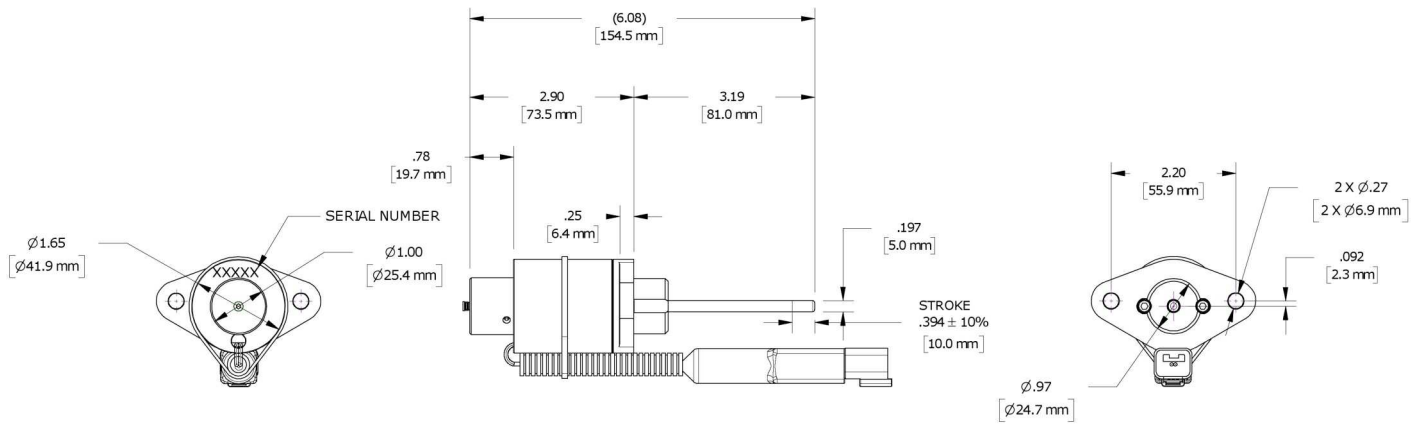
03 SERIES ACTUATOR



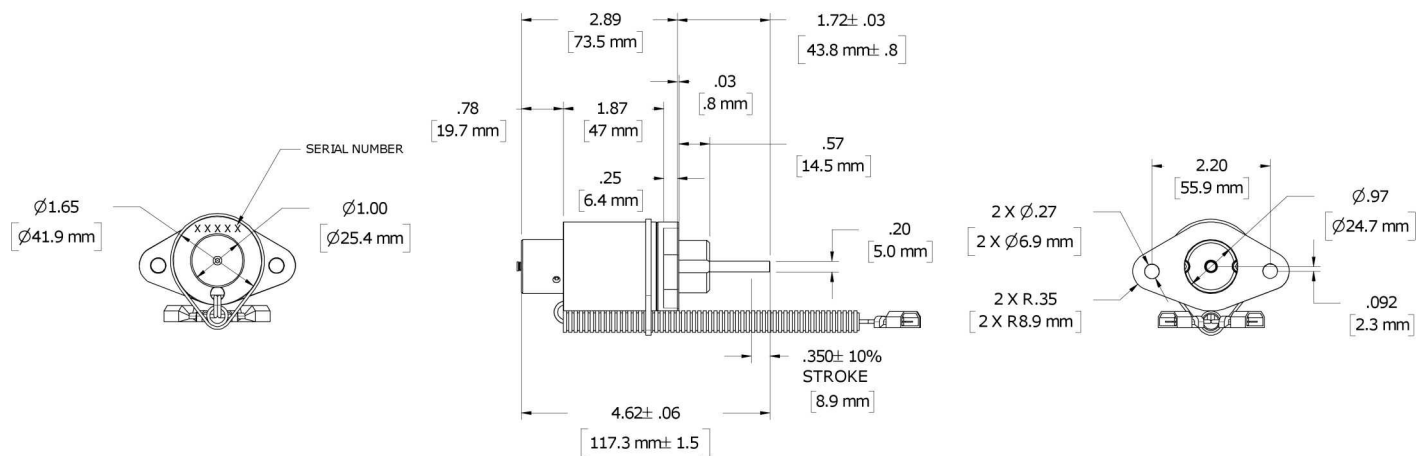
05 SERIES ACTUATOR

Kubota Series Engines

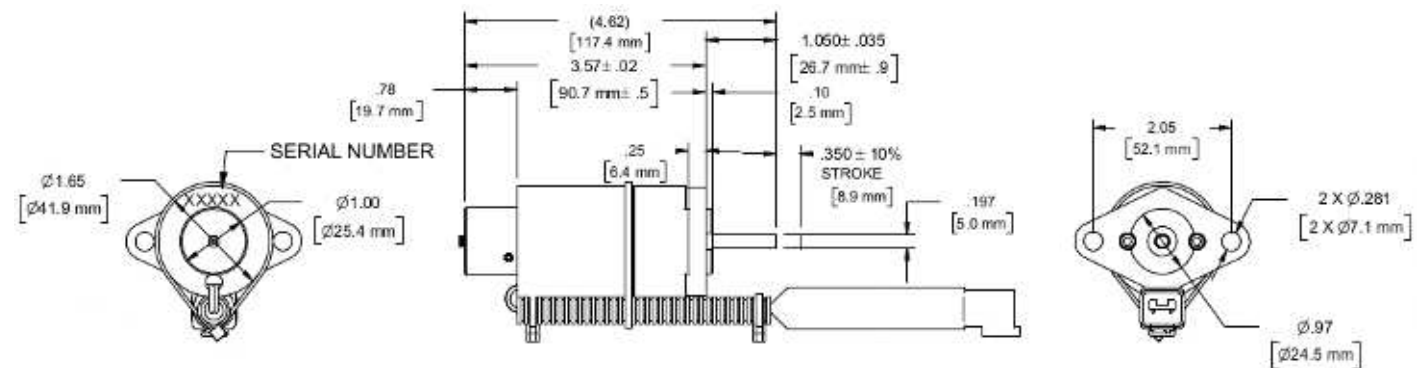
Model SV Governing ACTUATOR



03-M SERIES ACTUATOR



V3 SERIES ACTUATOR (GENSET)



V3 SERIES ACTUATOR (INDUSTRIAL)

Ultra Low Friction Linear Ball Bearing Design

Precision Governor's exclusive use of two low friction linear ball bearings in each governing actuator insures precision, reliable governing performance in the most demanding industrial applications.



Ordering: *Model SV Governing Actuators for Kubota Series Engines*

<u>Part No.</u>	<u>Description</u>
9258	<u>Series 03</u> 12 Volt Systems
9263	24 Volt Systems
9279	<u>Series 03M</u> 12 Volt Systems
9462	24 Volt Systems
9261	<u>Series 05</u> 12 Volt Systems
9262	24 Volt Systems
9286	<u>Series V3 (GENSET)</u> 12 Volt Systems
9287	24 Volt Systems
9494-12	<u>Series V3 (INDUSTRIAL)</u> 12 Volt Systems
9494-24	24 Volt Systems