

## YANMAR Engines

### *Model SJ Governing ACTUATOR*

Precision Governor's Model SJ governing actuator uses linear ball bearings to provide low friction governing for all applications requiring precise governing control.

*Custom-designed for use with the following  
YANMAR TNE & TNV Series Engines*

#### TNE Series

2TNE

3TNE

4TNE

#### TNV Series

2TNV

3TNV

4TNV



### Features:

- ◆ Custom designed for Yanmar industrial and marine engine applications.
- ◆ Features ultra low friction linear ball bearings. Precise, smooth governing actuator control at all temperature ranges. At least ten times lower friction than actuators using solid bushings.
- ◆ Fast and easy installation. Mounts directly to fuel rack eliminating linkages, pulleys, or external brackets.
- ◆ Failsafe operation. Internal spring returns actuator to the minimum fuel/shutdown position in case of power loss.
- ◆ Requires much less current and operates at much cooler temperatures than others.
- ◆ Available in 12 volt & 24 volt versions.
- ◆ Corrosion and moisture resistant.
- ◆ Ideal for gensets Isochronous control with zero droop over the complete speed range.

# Specifications

## ELECTRICAL

Power Input 12 or 24 Volt DC Available  
12 VDC

Coil Resistance 4.5 Ohms

Maximum Continuous Current 1.9 Amps

24 VDC

Coil Resistance 15.9 Ohms

Maximum Continuous Current 1.0 Amps

## Connectors

Standard:

Spade Terminal AMP P/N 2-520102-2 or equivalent  
Mate:  
AMP P/N 2-520184-2 or 3-350820-2 or equivalent

Options:

Deutsch P/N DT04-2P  
Mate:  
P/N DT06-2S

Delphi-Packard P/N 15300027  
Mate:  
P/N 15300002

## MECHANICAL

Dimensions: See drawing for specific model

Stroke: See drawing for specific model

Materials: Corrosion resistant Aluminum and Zinc Plated Steel

Weight: 2.3 lbs

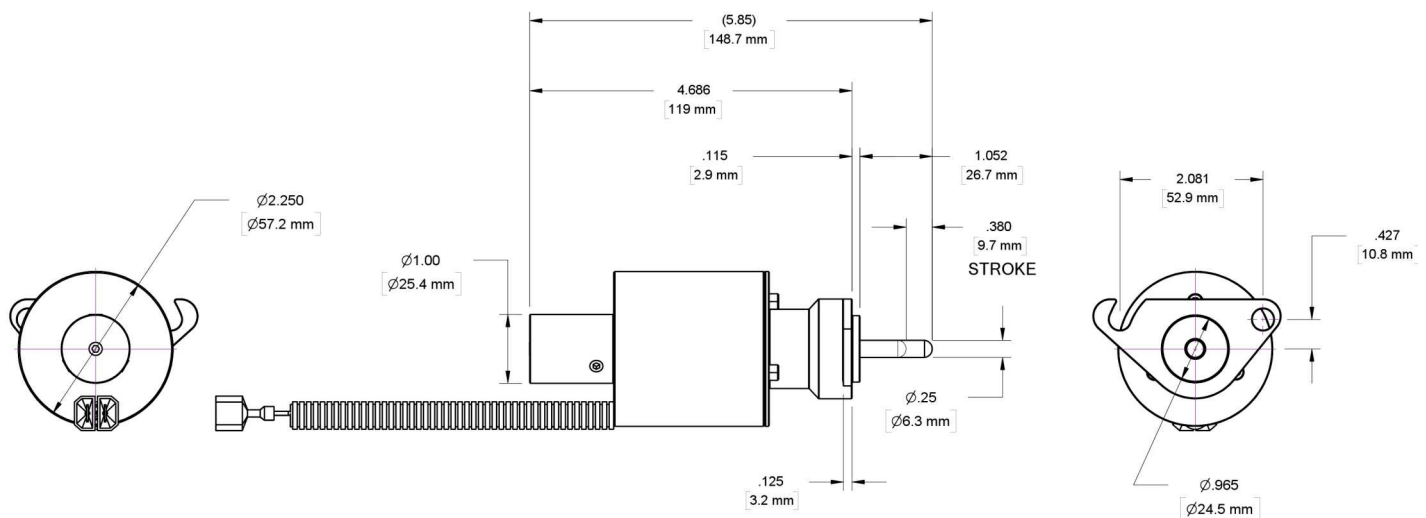
Serial Number: Etched into housing opposite lead wires

## ENVIRONMENTAL

Operating Temperature Range: -40°F to 250°F  
(-40°C to 121°C)

# Yanmar Series Engines

## Model SJ Governing ACTUATOR



TNE & TNV SERIES ACTUATOR

## Ultra Low Friction Linear Ball Bearing Design

***Precision Governor's exclusive use of two low friction linear ball bearings in each governing actuator insures precision, reliable governing performance in the most demanding industrial applications.***



***Ordering: Model SJ Governing Actuators for Yanmar Series Engines***

Part No.

Description

9223  
9233

Series TNE & TNV  
12 Volt Systems  
24 Volt Systems