

E-301

Description

The E-301 is a simple general purpose controller. This controller can be used in gas engines for 12 or 24 volt systems, and can have up to two speed sets. Speed sets can be enabled by setting the respective pins “high” (12/24V). These units are fully configurable by the customer using adjustable potentiometers to adjust gain and integral settings for optimal engine response. These controllers come conformally coated in a rugged enclosure.

Features

High impact plastic case

Power supply 12/24VDC

Speed band +/- 0.3% at ambient temp

Temperature stability +/-1.5%

Speed range 3:1 standard

2 speed sets

Gain and integral adjustments

Speed input (ignition)

Mounting attitude: any
(Vertical recommended)

Functionally tested

Specifications

Mechanical

Operating Temp	-30 to 85° C -22 to 185° F
Weight	1lb

Power

Supply Voltage	12V or 24V
Power Consumption	5W
External Fuse Required	7.5A

Speed Sensor

DIS Frequency	up to 400Hz
Voltage	100V

Governor

Max Current	4A
-------------	----

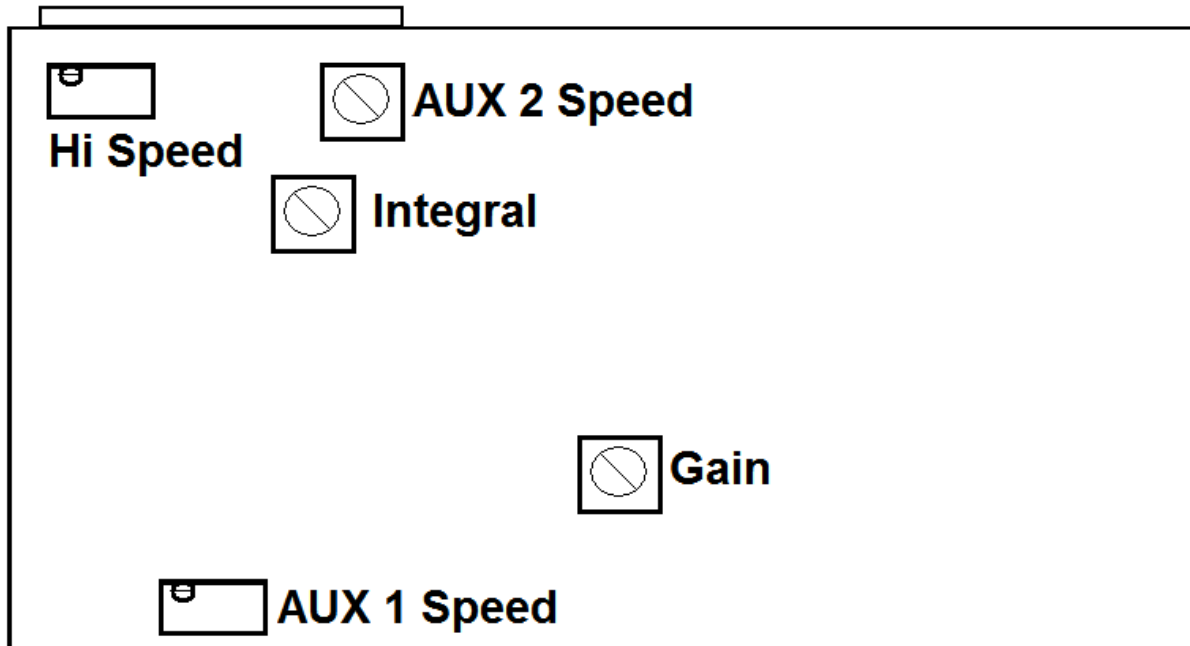
Speed Set

Threshold	8V
-----------	----

Wiring

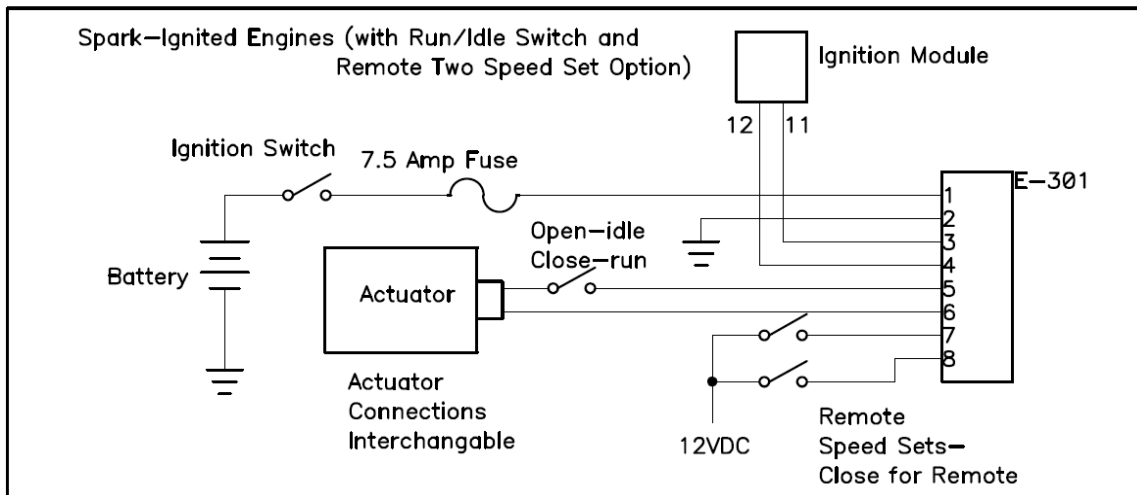
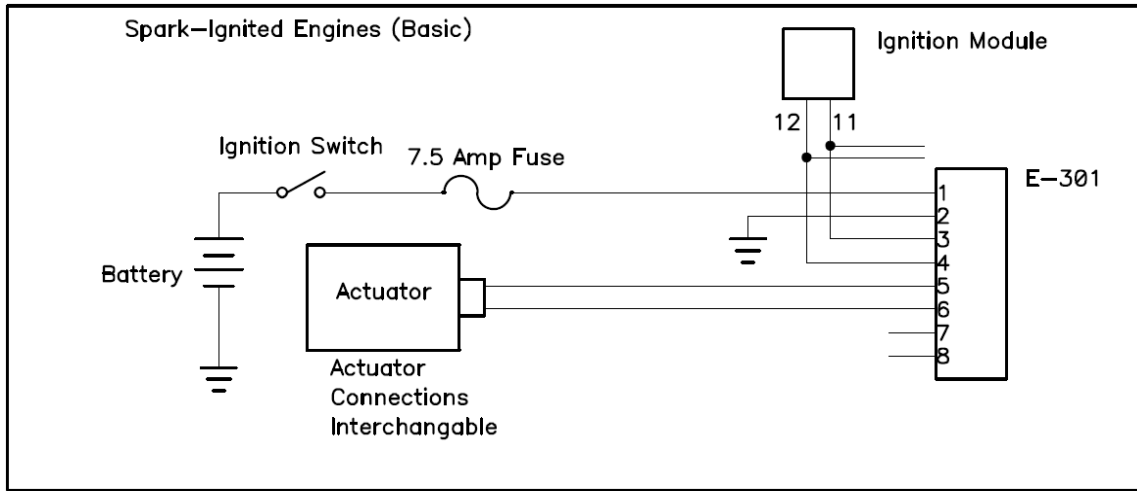
Pin	Description
1	+12/24V Power
2	Ground
3	Speed Sensor +
4	Speed Sensor -
5	Governor (polarity insensitive)
6	Governor (polarity insensitive)
7	Speed set 1
8	Speed set 2

E-301 Pot Locations

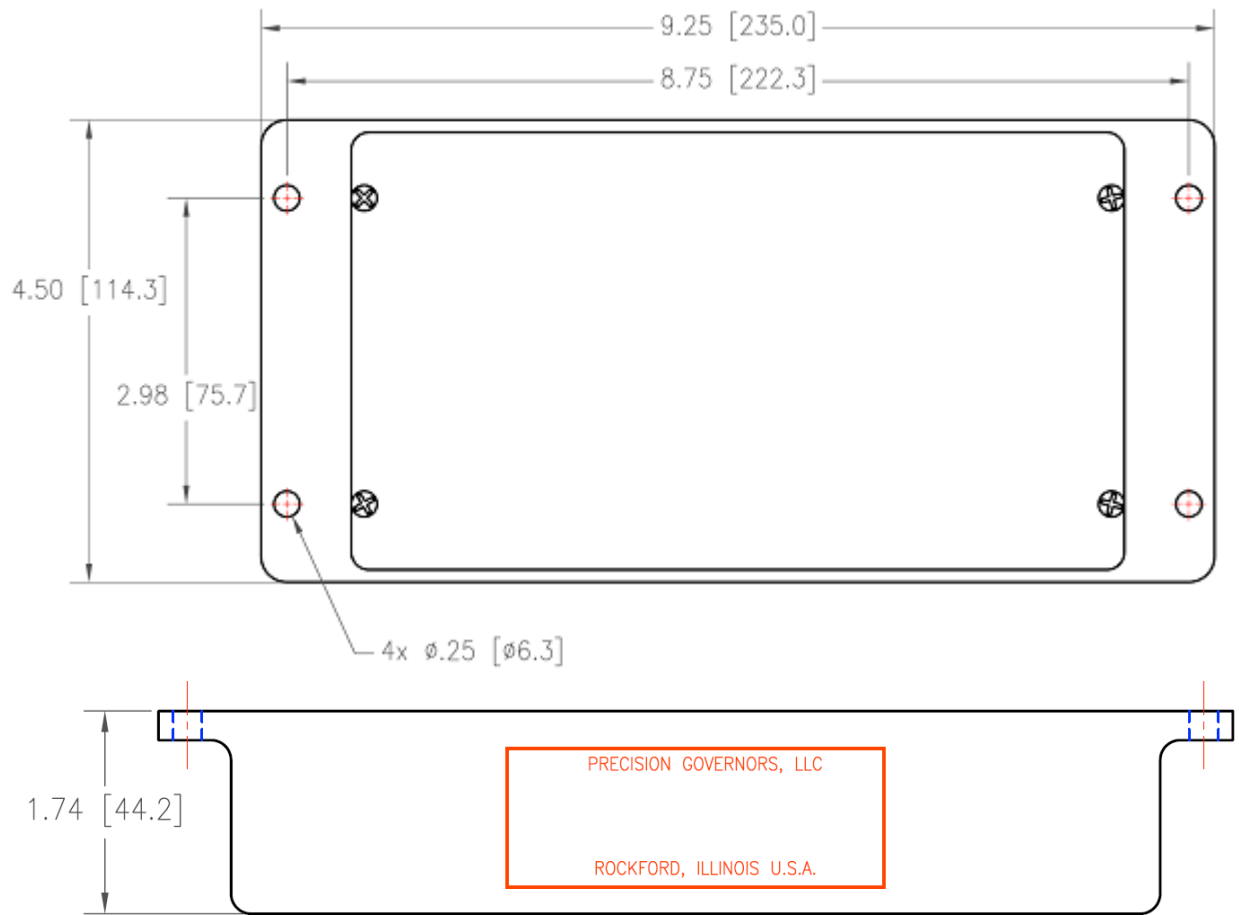


E-301 Electronics-Adjustment POTS

E-301 Schematics



Dimensions



Reference

E-301

Model	Part #	Description
A	9060	2 speed
B	9061-1	3 speed